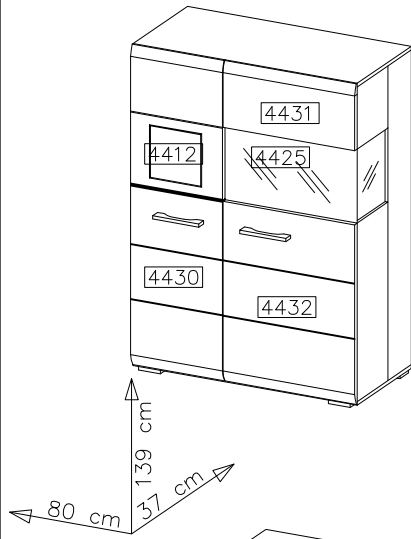
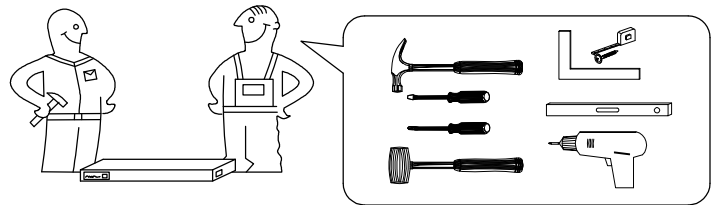
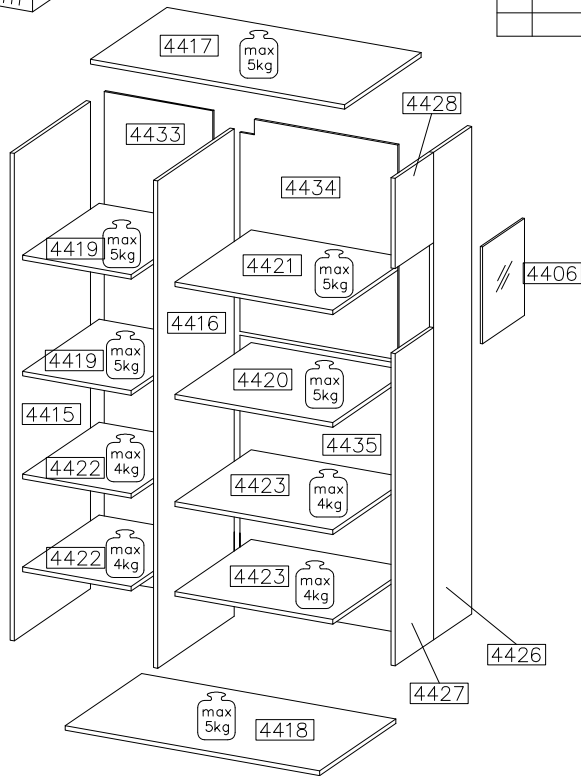
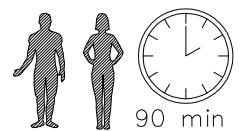
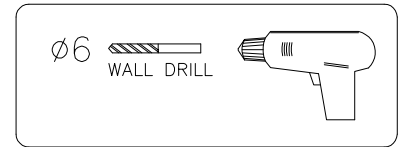
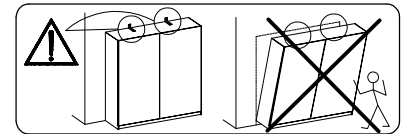
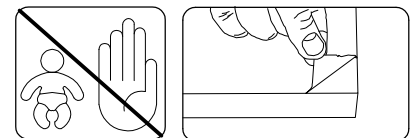
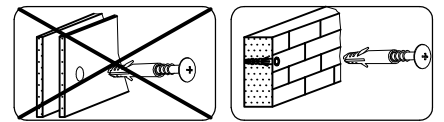
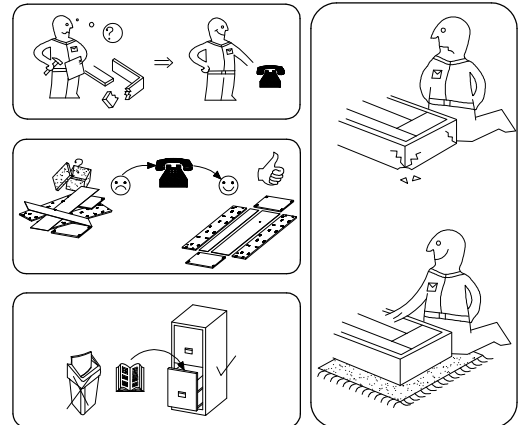


FUN PLUS II

10 A1 MM 02


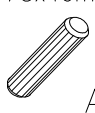




| # | ART. NR | L | W | T | Q | Col.No |
|----|---------|------|-----|-----|---|--------|
| 1 | 4417 | 800 | 351 | 16 | 1 | 1 |
| 2 | 4418 | 800 | 351 | 16 | 1 | 1 |
| 3 | 4419 | 326 | 331 | 16 | 2 | 1 |
| 4 | 4406 | 362 | 226 | 4 | 1 | 1 |
| 5 | 4425 | 362 | 421 | 4 | 1 | 1 |
| 6 | 4412 | 218 | 218 | | 1 | 1 |
| 7 | 4431 | 197 | 446 | 18 | 1 | 1 |
| 8 | 4432 | 857 | 446 | 18 | 1 | 1 |
| 9 | 4434 | 533 | 441 | 2,5 | 1 | 1 |
| 10 | 4435 | 810 | 441 | 2,5 | 1 | 1 |
| 11 | 4420 | 425 | 331 | 16 | 1 | 1 |
| 12 | 4421 | 425 | 331 | 16 | 1 | 1 |
| 13 | 4415 | 1328 | 351 | 16 | 1 | 2 |
| 14 | 4416 | 1328 | 331 | 16 | 1 | 2 |
| 15 | 4423 | 424 | 321 | 16 | 2 | 1 |
| 16 | 4422 | 325 | 321 | 16 | 2 | 2 |
| 17 | 4426 | 1328 | 150 | 16 | 1 | 2 |
| 18 | 4427 | 842 | 201 | 16 | 1 | 2 |
| 19 | 4428 | 184 | 201 | 16 | 1 | 2 |
| 20 | 4430 | 1356 | 346 | 18 | 1 | 2 |
| 21 | 4433 | 1343 | 341 | 2,5 | 1 | 2 |

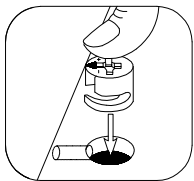
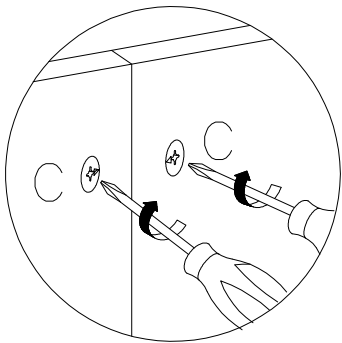
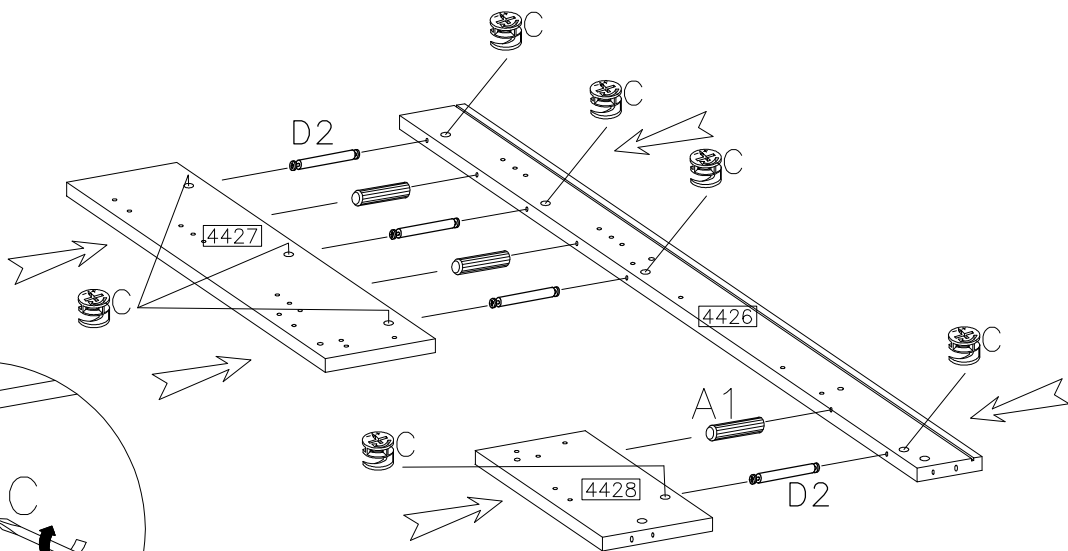


| | | | | | | | | | | |
|--------------|-------------|--------------|--------------|--------------|-------------|--------------|-------------|--------------|--------------|-------------|
| A 28 | B 6 | C 30 | D1 14 | D2 4 | D3 4 | E 30 | E1 6 | F8 12 | G6 5 | F4 5 |
| A1 3 | L 16 | L4 14 | O 1 | P1 16 | P4 1 | P9 10 | R2 4 | P3 20 | P8 18 | |
| J4 16 | V1 1 | V2 1 | S1 2 | Z 1 | N 1 | | | | | |


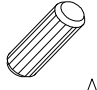

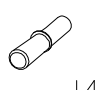
1

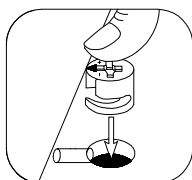
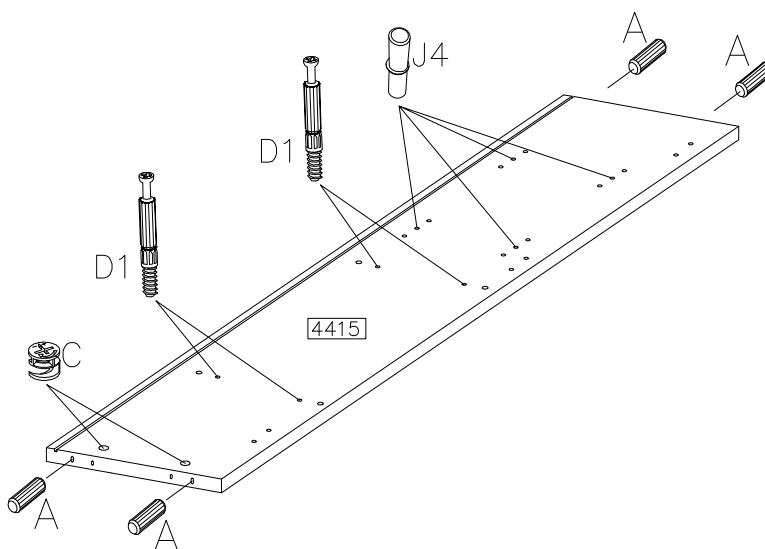
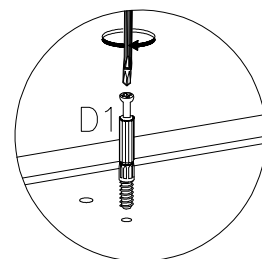
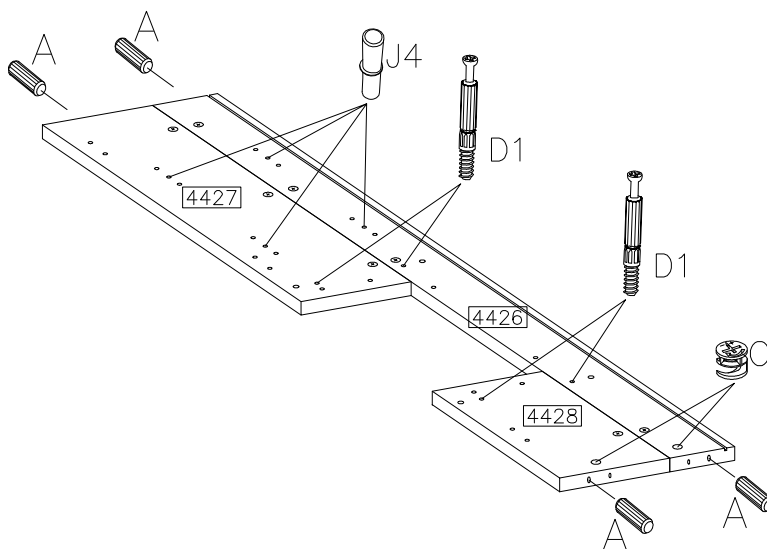
| | |
|--|--|
| L-46 | ø8x40mm |
|  |  |
| D2 | A1 |
| 4 | 3 |

| | |
|--|---|
| ø15/12mm |  |
|  | E |
| 8 | 8 |





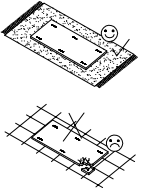
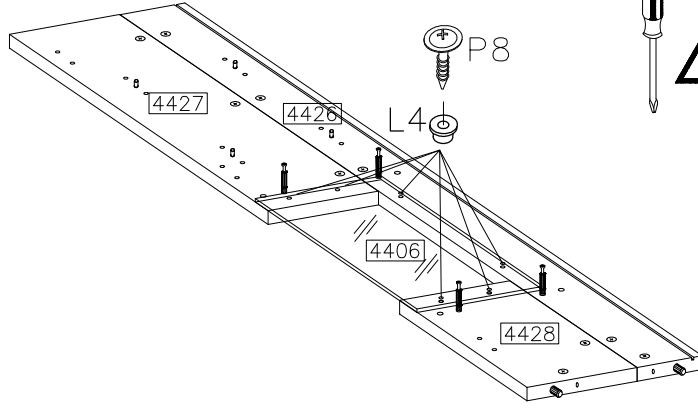
2

| | |
|--|---|
| ø15/12mm | ø8x30mm |
|  |  |
| C | A |
| 4 | 8 |
|  |  |
| D1 | J4 |
| 8 | 8 |

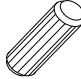

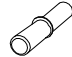


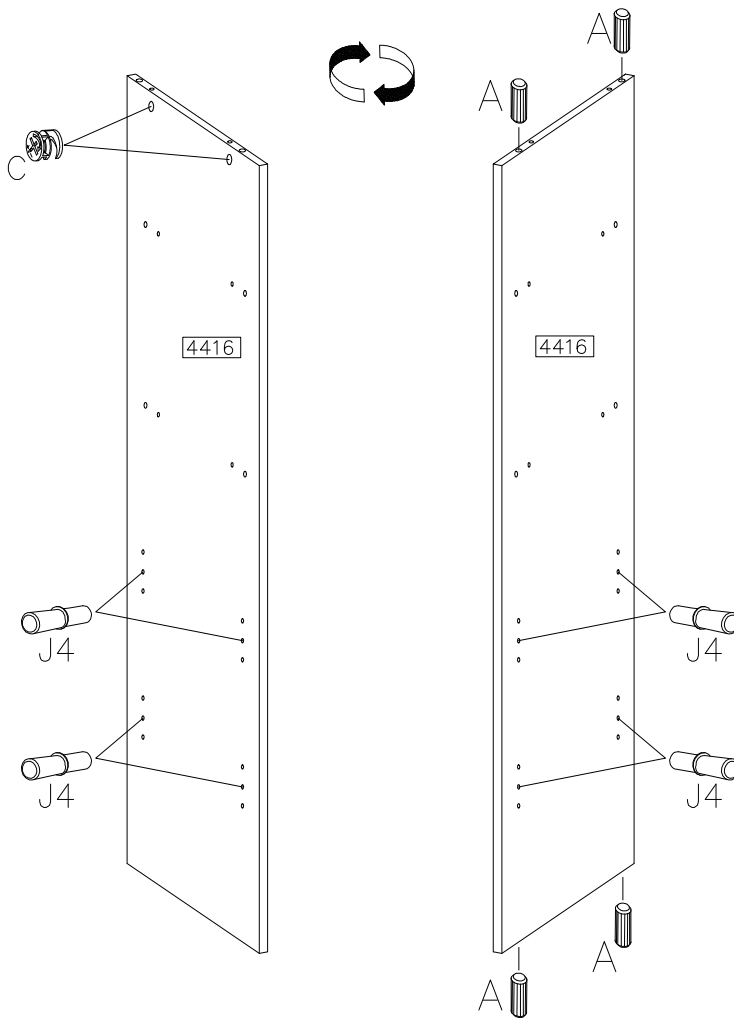
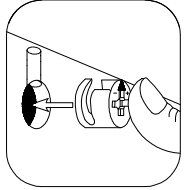
3

| | |
|--|--|
|  | $\varnothing 4.0 \times 16 \text{ mm}$  |
| L4 6 | P8 6 |




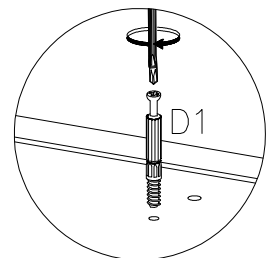
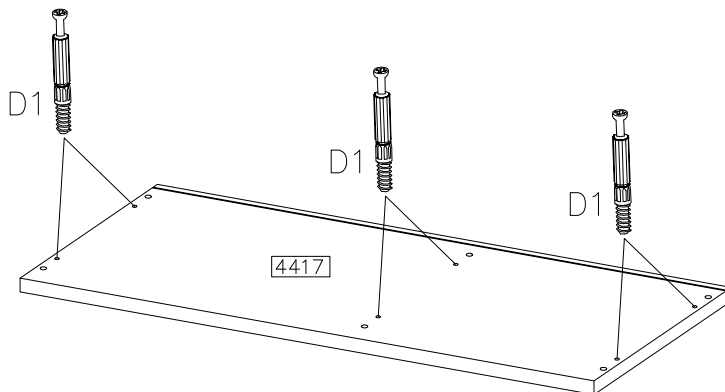
4

| | | |
|---|---|---|
| $\varnothing 8 \times 30 \text{ mm}$  | $\varnothing 15 / 12 \text{ mm}$  |  |
| A 4 | C 2 | J4 8 |





5

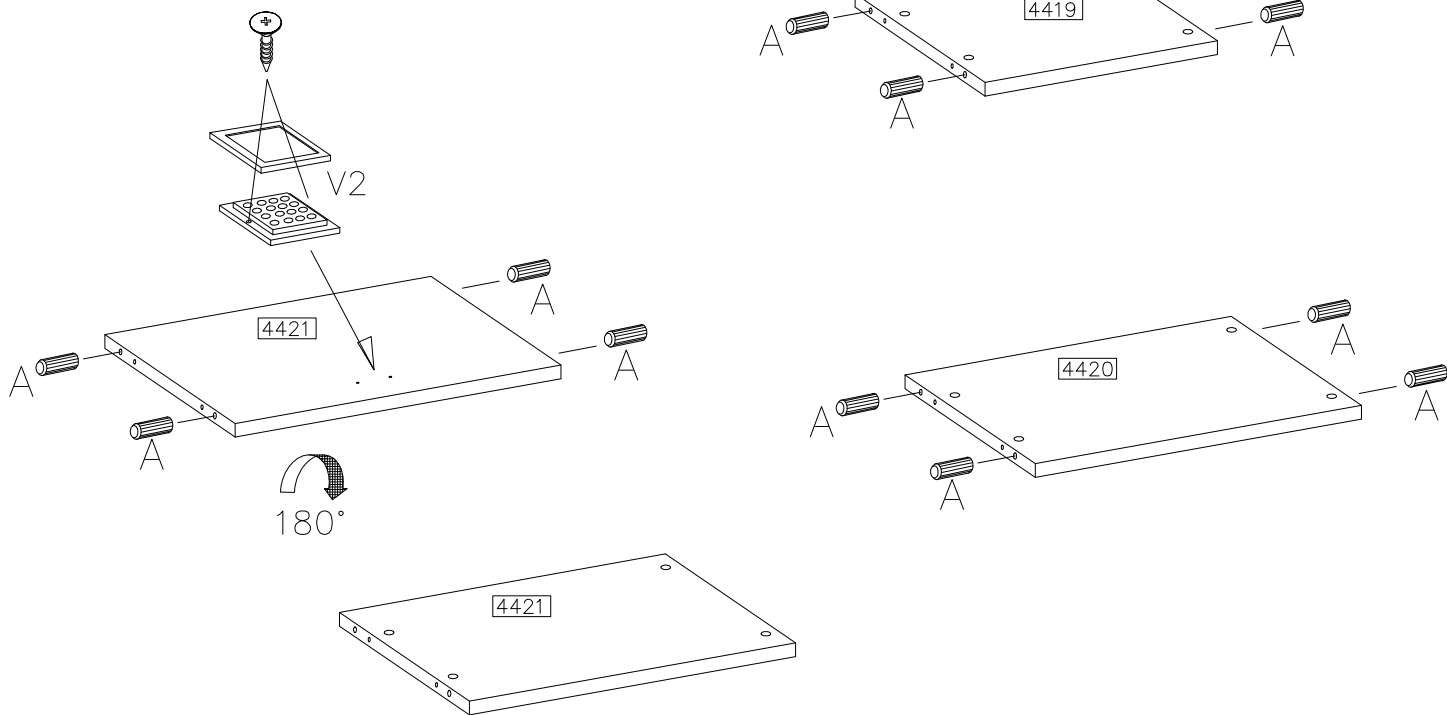
| |
|--|
|  |
| D1 6 |



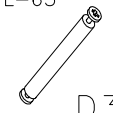
6

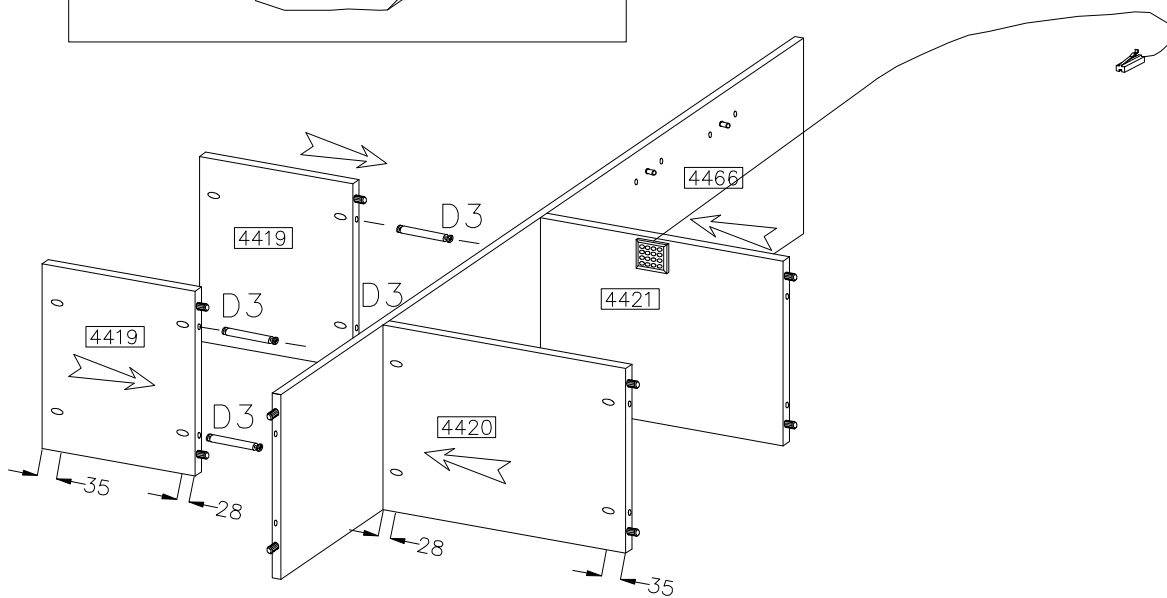
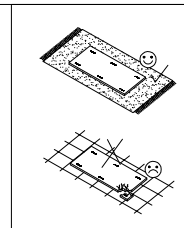
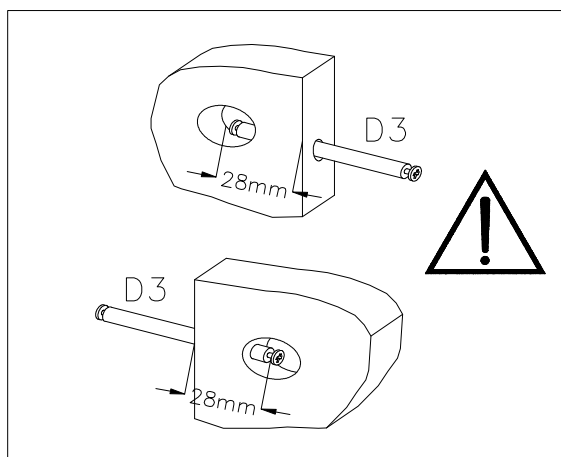
| | |
|--|--|
|  |  |
| V2 | A |
| 1 | 16 |

2x



7

| | |
|---|------|
|  | L-65 |
| D3 | |
| 4 | |

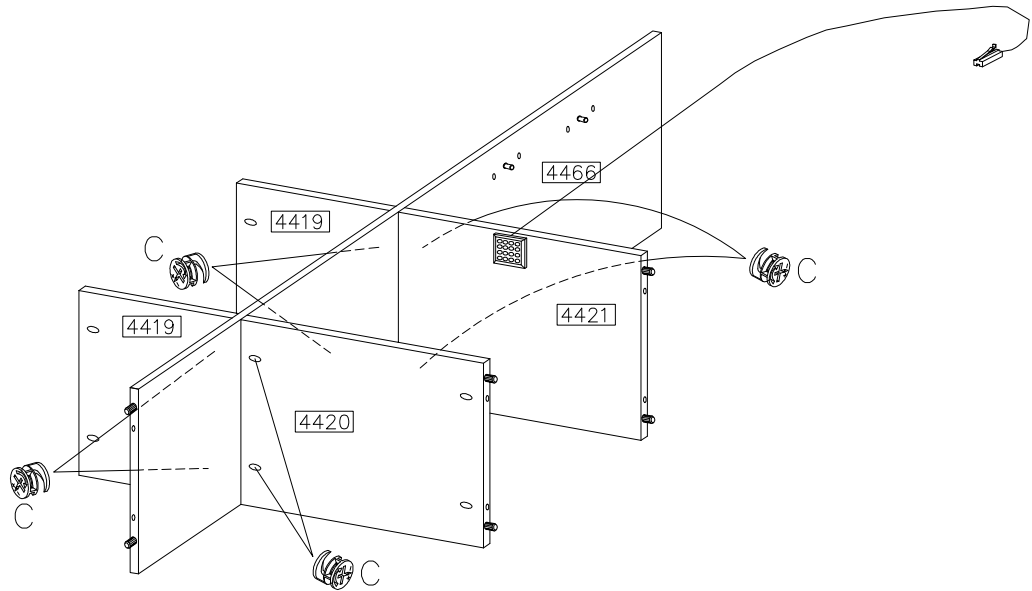
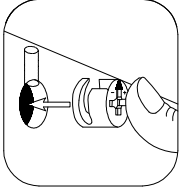
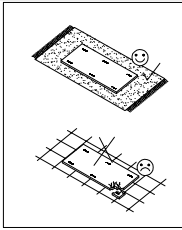
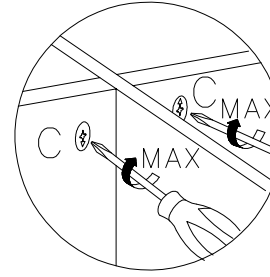
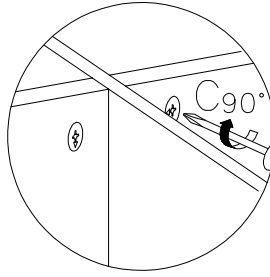
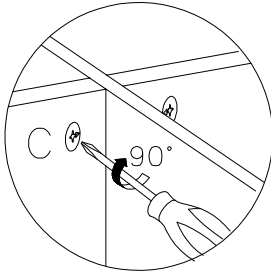
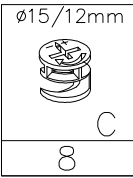


8

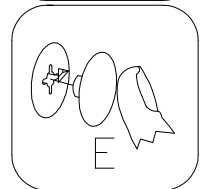
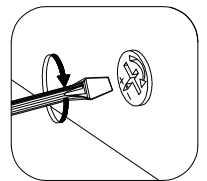
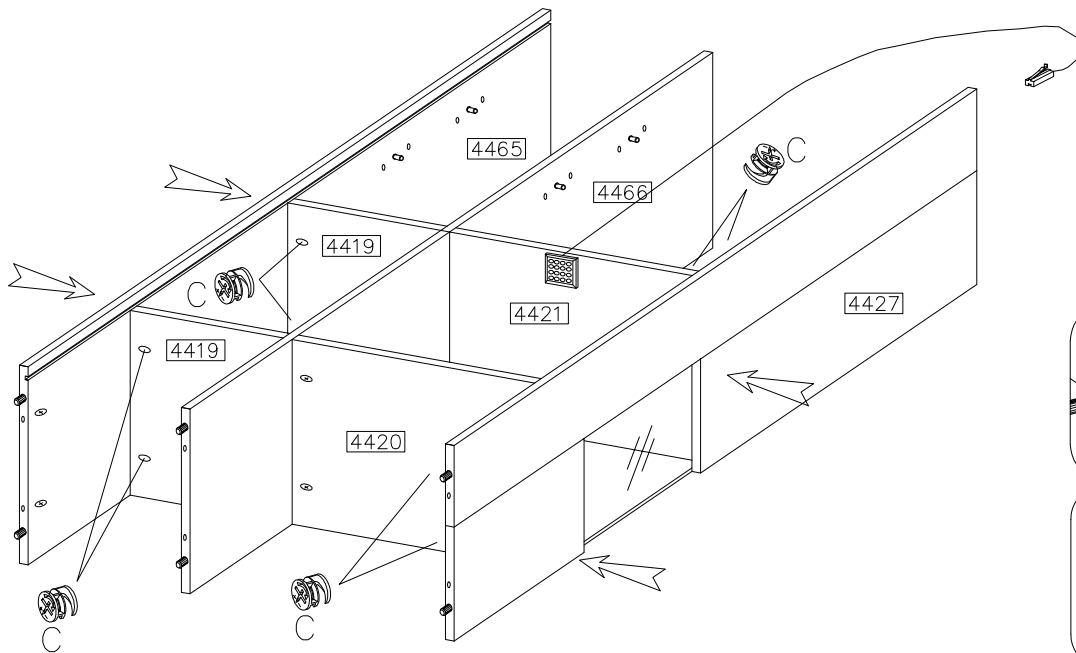
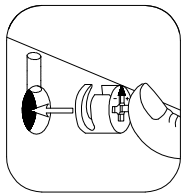
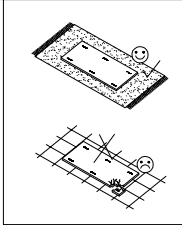
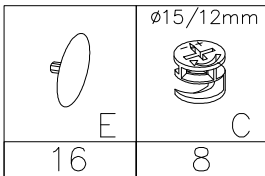
STEP-1

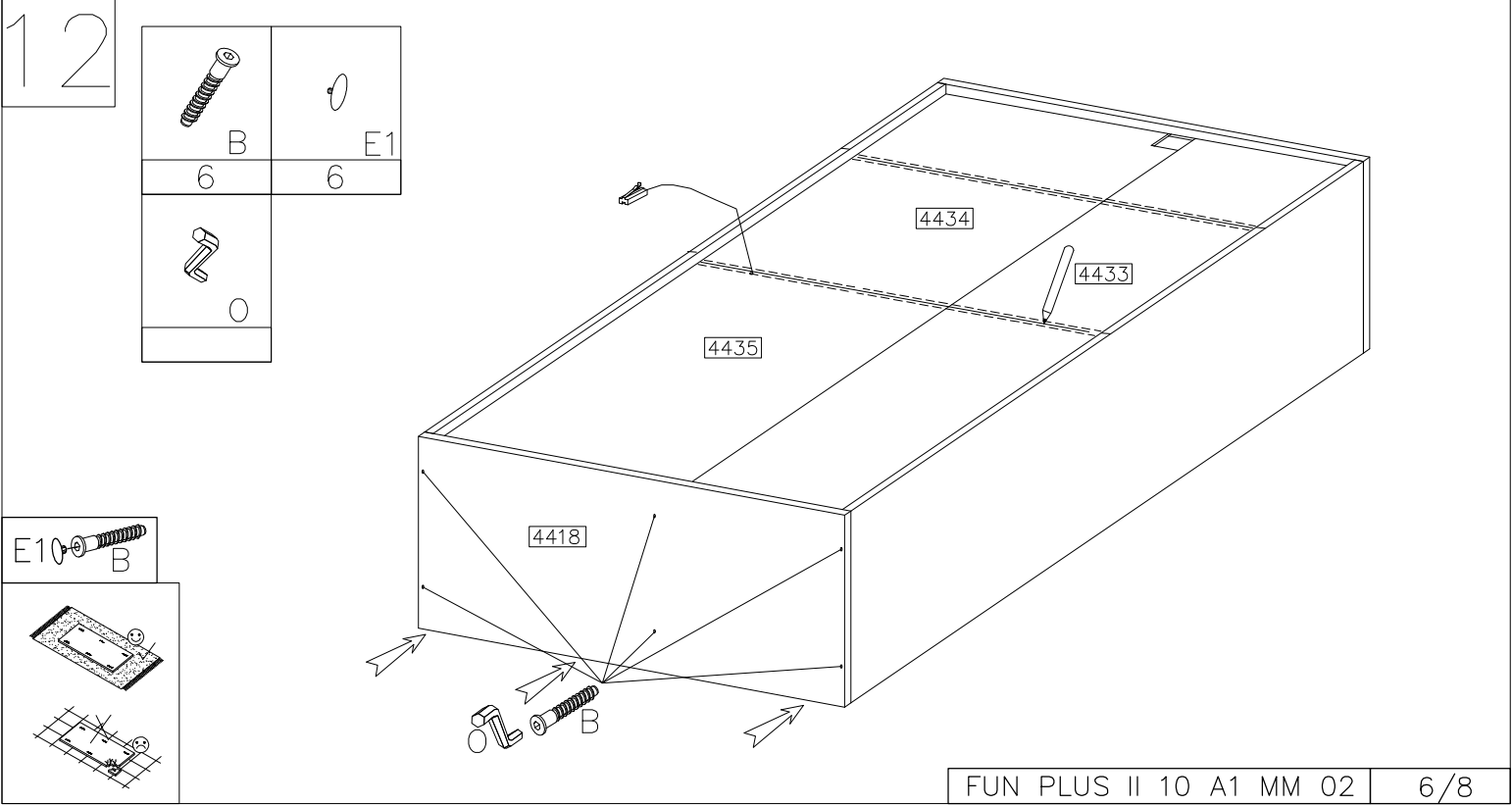
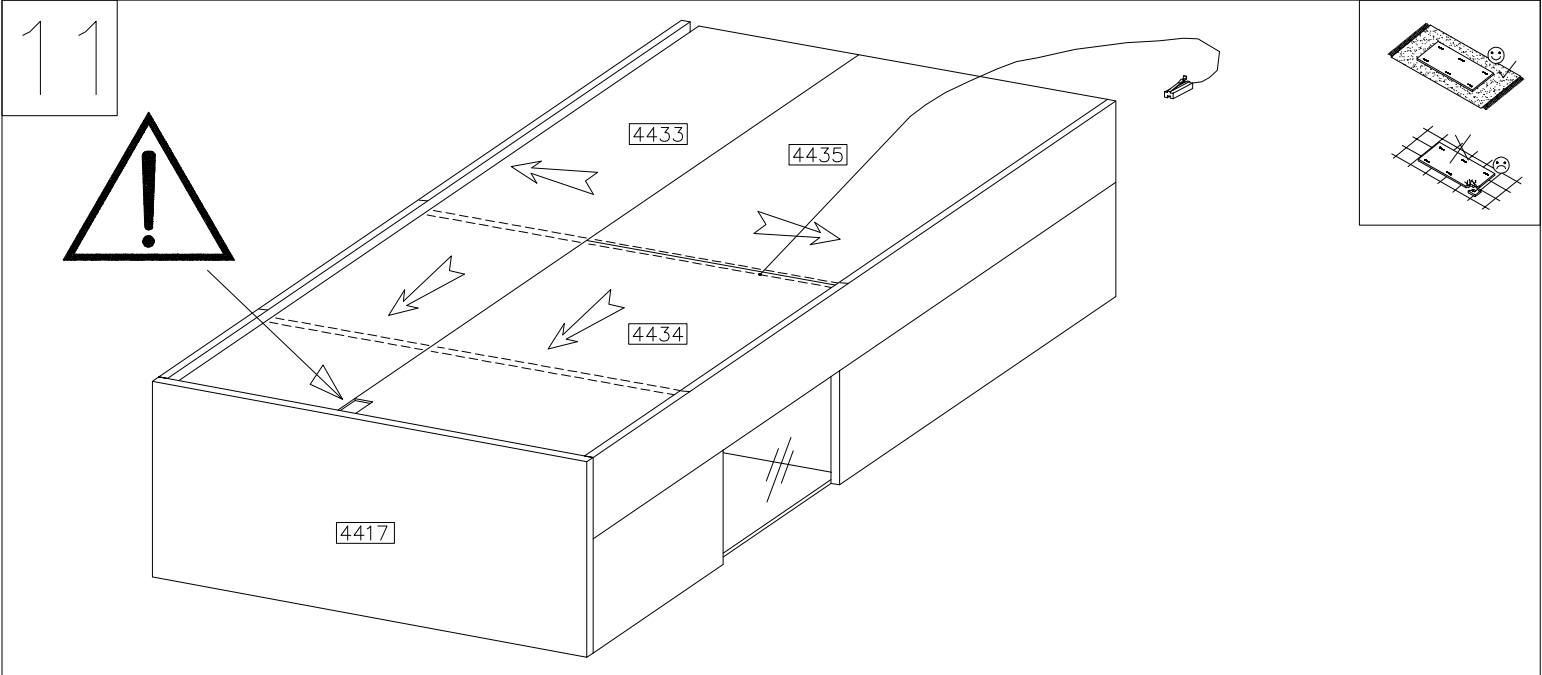
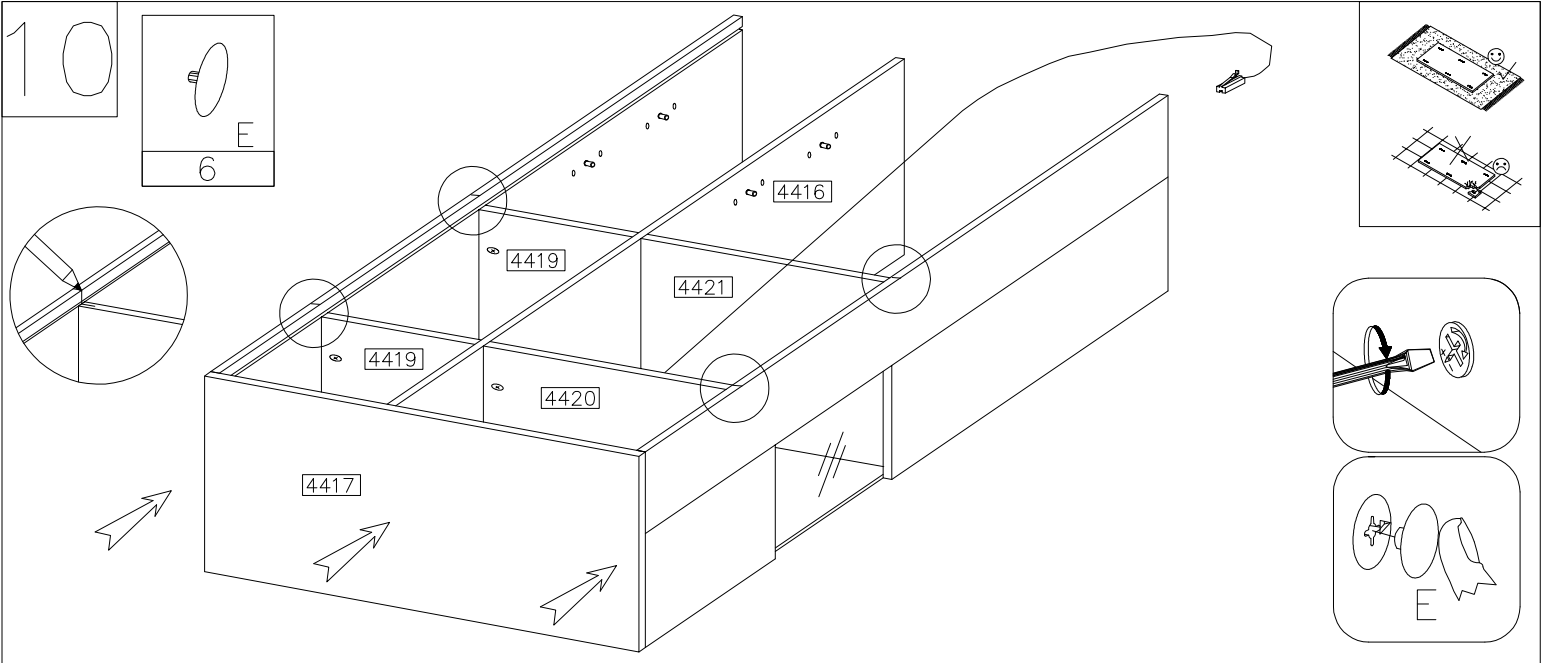
STEP-2

STEP-3

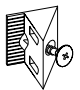

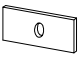




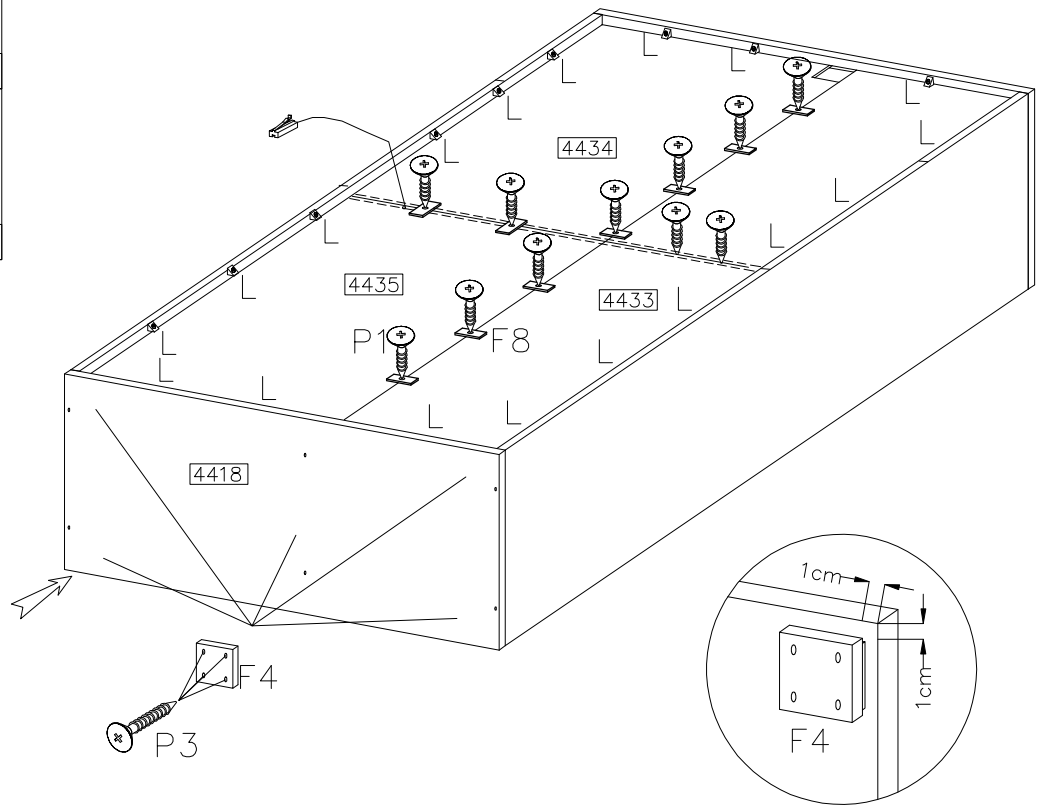
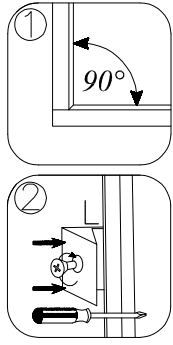
9






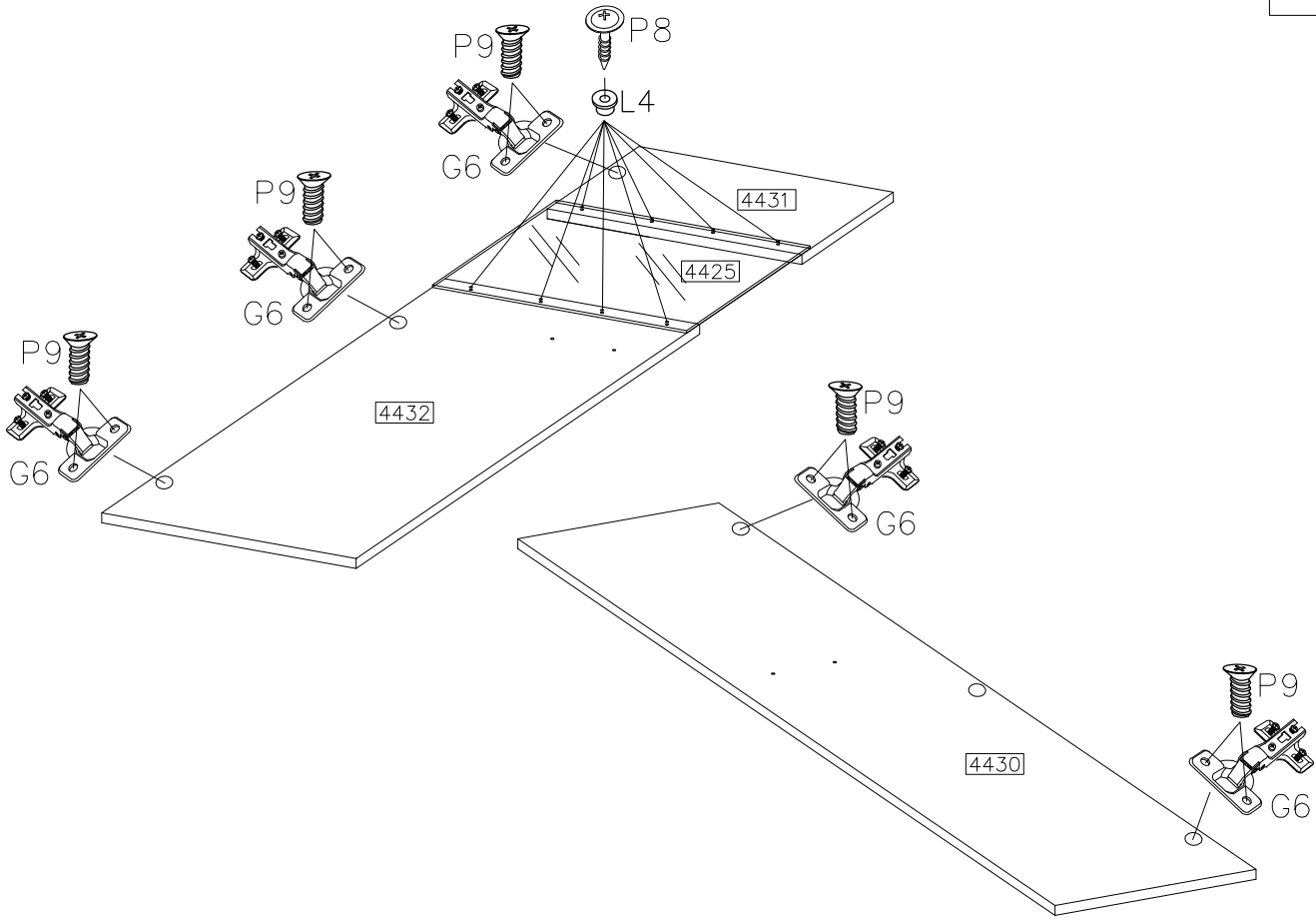
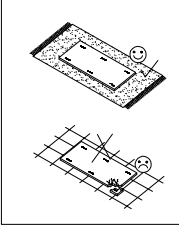
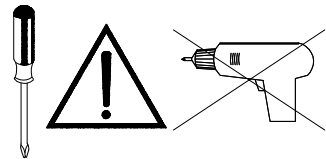
13

| | | |
|---|---|---|
|  |  | |
| L | F4 | |
| 16 | 5 | |
| $\phi 3.0 \times 16 \text{mm}$ | $\phi 4.0 \times 30 \text{mm}$ | |
|  |  |  |
| F8 | P1 | P3 |
| 12 | 16 | 20 |

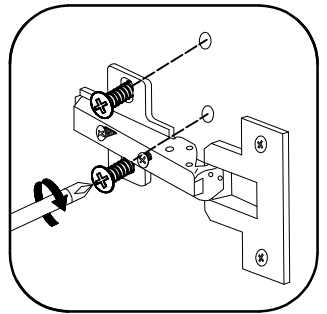
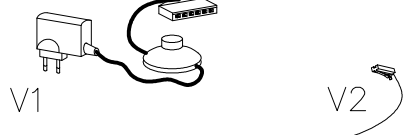
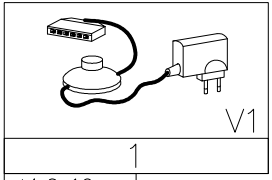


14

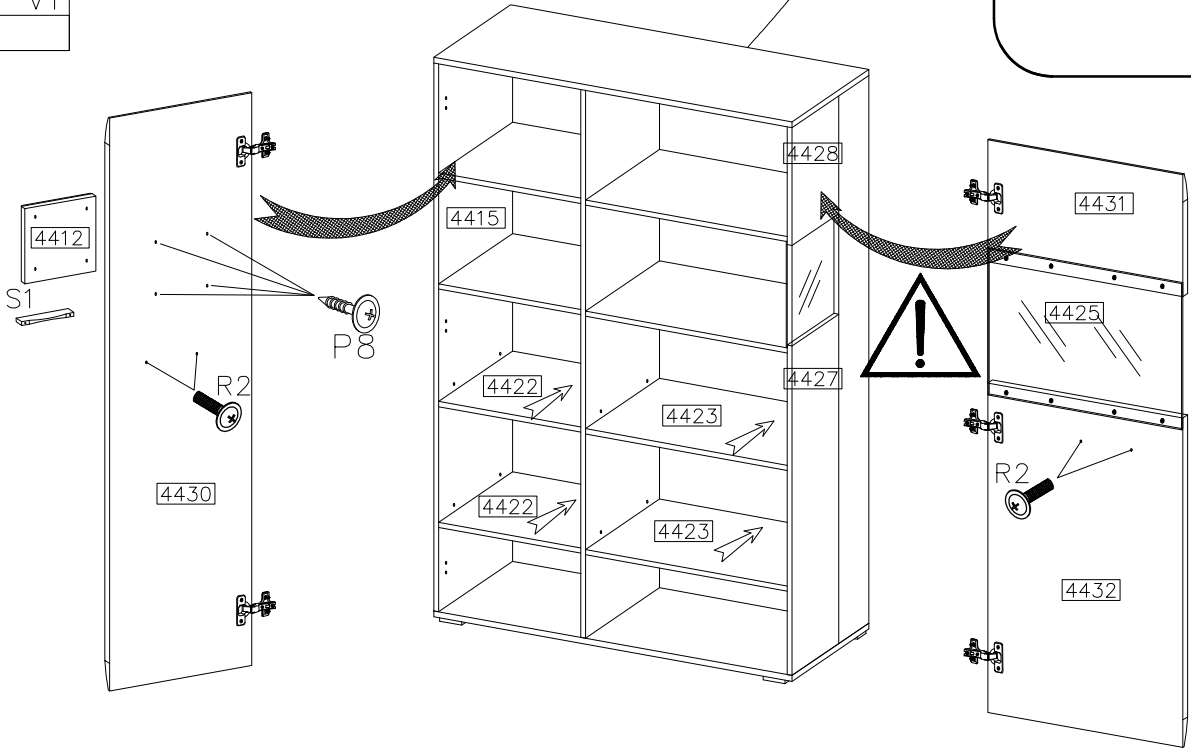
| | | | |
|-------------------------|----------|---|--------------------------------|
| $\phi 35 / \text{KR}-0$ | 5.0x13mm |  | $\phi 4.0 \times 16 \text{mm}$ |
| G6 | P9 | L4 | P8 |
| 5 | 10 | 8 | 8 |



15



- 1
ø4.0x16mm
P8
4
- S1
- 2
M4.0x22mm
R2
4



16

- 1
ø6.0x50mm
Z

